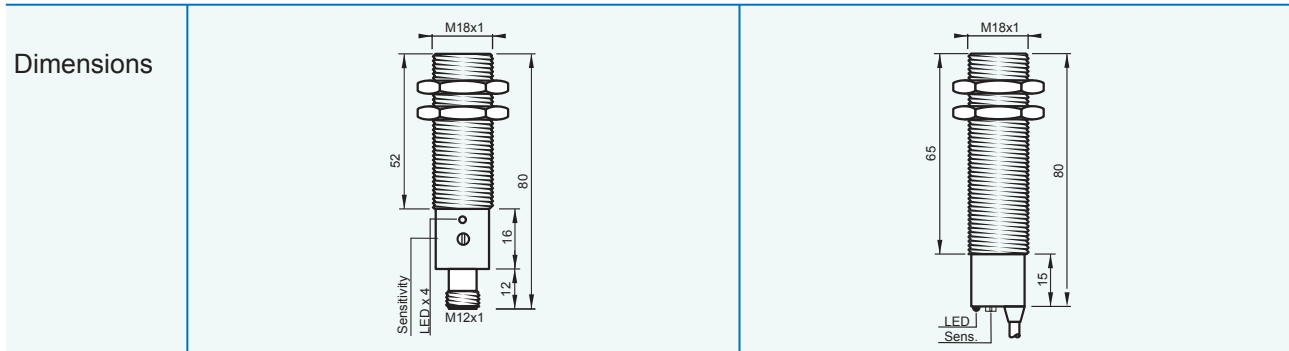


Housing style	M18
Sensing distance	12mm
Mounting condition	flush



Performance Parameter				
Operating Voltage	10...30VDC	10...30VDC	10...30VDC	10...30VDC
Operating Current	≤200mA	≤200mA	≤200mA	≤200mA
Connection	M12,Connection	M12,Connection	2M,PVC Cable	2M,PVC Cable
Voltage Drop.	≤2.5V	≤2.5V	≤2.5V	≤2.5V
Residual Current	—	—	—	—
Short-circuit protection	built-in	built-in	built-in	built-in
Switching Freq.	100Hz	100Hz	100Hz	100Hz
Hysteresis %Sr	3...15%	3...15%	3...15%	3...15%
Repetition Accuracy	≤5%Sr	≤5%Sr	≤5%Sr	≤5%Sr
Housing material	Brass	PBT	Brass	PBT
Protection degree	IP67	IP67	IP67	IP67
Operating Temp.	-25~70°C	-25~70°C	-25~70°C	-25~70°C
Output LED	built-in yellow	built-in yellow	built-in yellow	built-in yellow

Output function Type & Item No.				
PNP,NO	RB12-M18-E2	RB12-M18T-E2	RB12-M18-E2/2M	RB12-M18T-E2/2M
	A718.0112 S023	A718.0120 S023	A718.0111 S015	A718.0119 S015
PNP,NC	RB12-M18-E3	RB12-M18T-E3	RB12-M18-E3/2M	RB12-M18T-E3/2M
	A718.0110 S024	A718.0118 S024	A718.0109 S016	A718.0117 S016
PNP,NO+NC				
NPN,NO	RB12-M18-E0	RB12-M18T-E0	RB12-M18-E0/2M	RB12-M18T-E0/2M
	A718.0108 S021	A718.0116 S021	A718.0107 S013	A718.0115 S013
NPN,NC	RB12-M18-E1	RB12-M18T-E1	RB12-M18-E1/2M	RB12-M18T-E1/2M
	A718.0106 S022	A718.0114 S022	A718.0105 S014	A718.0113 S014
NPN,NO+NC				